

CA-CU3HG PLUS

USB-C® 3.1 Gen2 to USB 3.1 Gen2 Hub, Gigabit Ethernet,
HDMI(4K) Dock with 100W PD Charging Port



CADYCE CA-CU3HG, provides extra connectivity ports such as Gigabit Ethernet, 4K HDMI, 10Gbps USB 3.1 Gen2 and 100W USB-C® PD charging port to your USB-C® enabled computer.



Features:



Support HDMI Resolution up to 4K x 2K@60Hz.



USB-C® 100W(PD) Power Delivery.



BC1.2 (Battery Charging)



Supports 10Gbps data transfer via USB 3.1 Gen 2 ports.



Gigabit Ethernet Port.



Supports Mirror and Extend Mode.



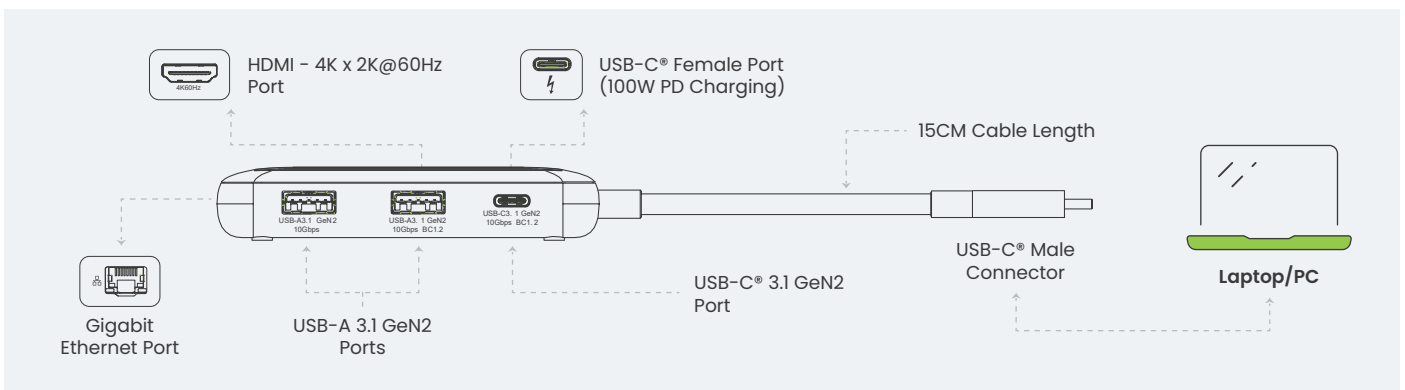
Compatible with Windows & macOS.



Easy, Plug & Play Installation.

Specifications:

Items	Descriptions
Input:	USB-C® Male x 1, USB-C® Female (100W) PD Charging x 1
Output:	HDMI 4K Female x 1 Gigabit Ethernet x 1 USB 3.1 Gen2 ports x 2 USB-C® 3.1 Gen2 ports x 1
Resolution:	HDMI - 4K x 2K@60Hz
Size:	92 x 54 x 14mm
Operating Temperature:	0°C to 45°C
Operating Humidity:	10% ~ 85% RH (no condensation)
Storage Temperature	-10°C to 70°C
Storage Humidity	5% ~ 90% RH (no condensation)
Power	Bus Powered
Certifications	CE, FCC, RoHS, CA, UK



Other Products:

CA-CXTDS, CA-CU3HVG, CA-CHM

Includes:

CA-CU3HG Plus, User Manual.

EAN Code:

CA-CU3HG - 0713440305375

Certifications:



Package Dimensions (L X W X H):

Box: L 25mm X W 118mm X H 185mm | L 0.98 in X W 4.64 in X H 7.28 in